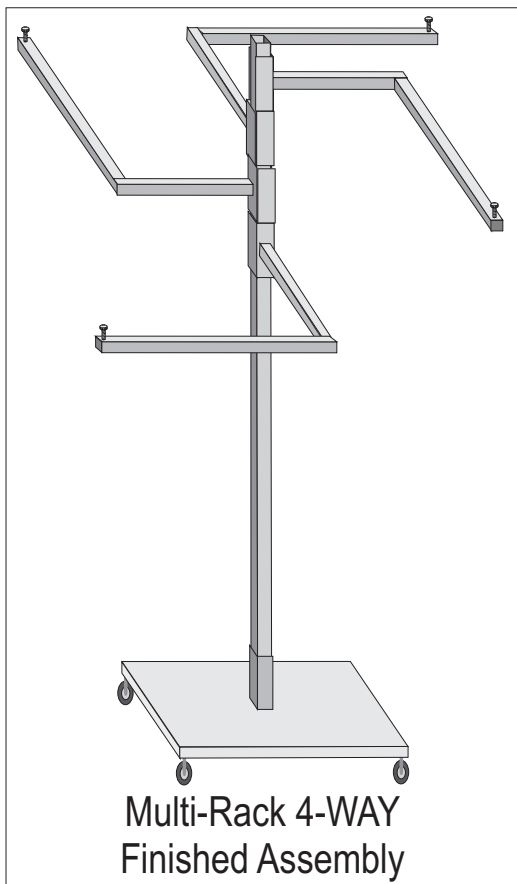
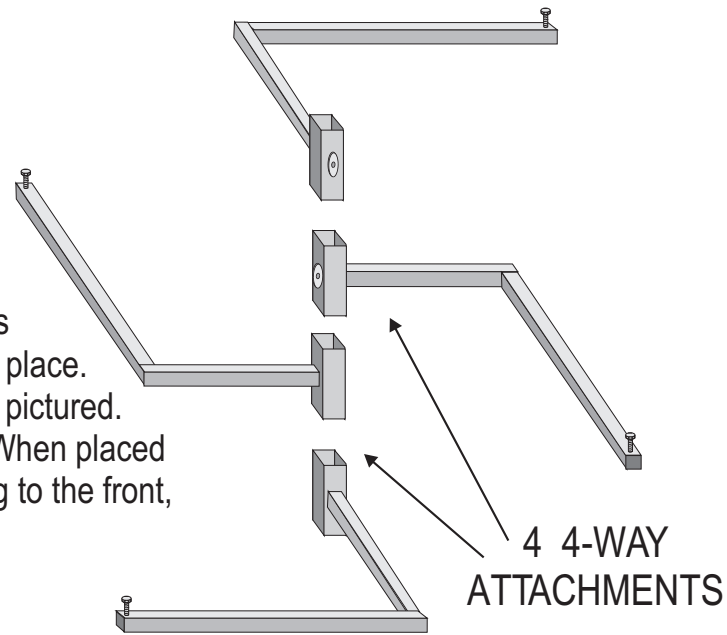


# Multi-Rack 4-WAY

## ASSEMBLY INSTRUCTIONS

1. Attach 4 PIVOTING CASTERS to the 18" BASE.  
Place a 3/8" nut on to each caster and tighten in place.
2. Drop the 52" MAST into the fitting on the 18" PLATE.  
Place two 5/16" x 1/2" bolts into the pre-threaded holes on the fitting. Tighten the bolts to secure 52" MAST in place.
3. Attach the 4 4-WAY ATTACHMENTS to the MAST as pictured.  
The 4-WAY ATTACHMENTS will slide over the mast. When placed on the rack properly, there will be an attachment facing to the front, back, left and right sides of the rack.
4. Tighten each 4-WAY ATTACHMENT to the MAST by placing a 5/16" x 1/2" bolt into the pre-threaded holes on the attachment.
5. A variety of black plastic end-caps are included. Plug them into the exposed ends of tubing for a finished look.



*Rudy Rack*

P.O. Box 133  
Plover, WI 54467  
800-434-6442

[www.rudyrack.com](http://www.rudyrack.com)

