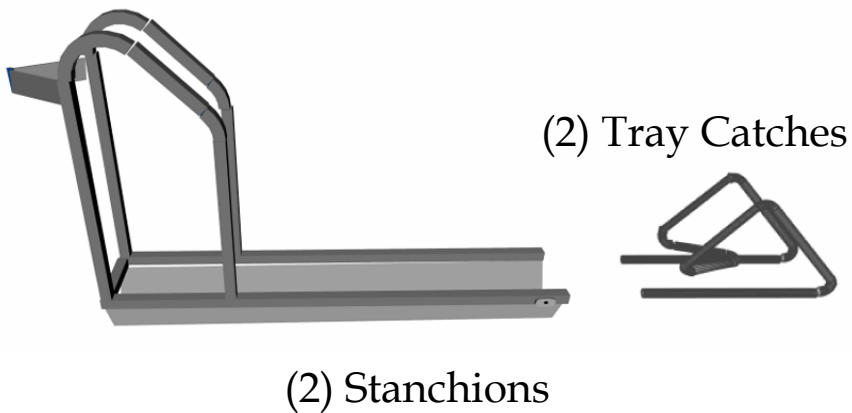
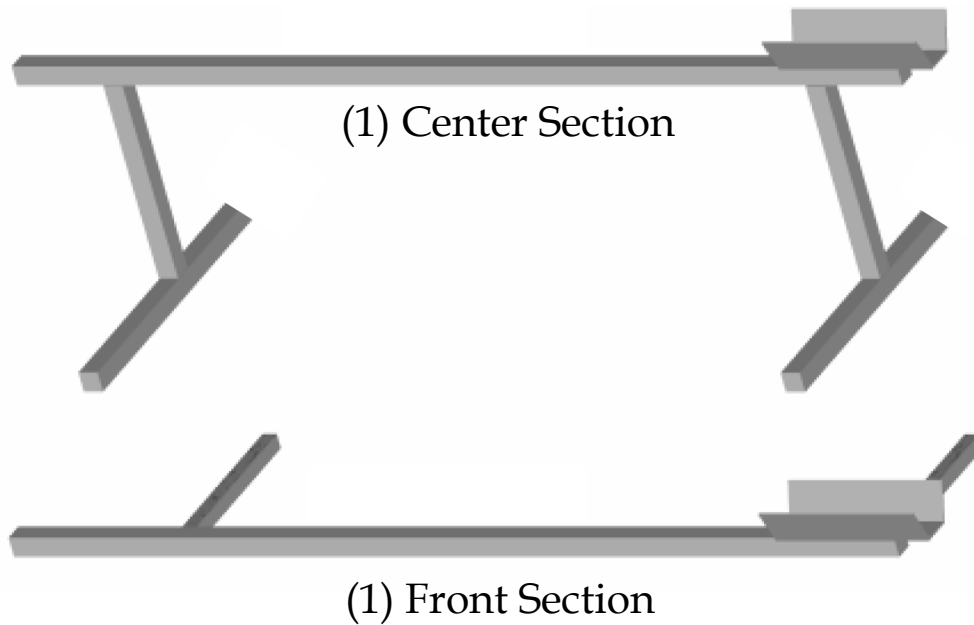


2 Bike Highlighter Parts List

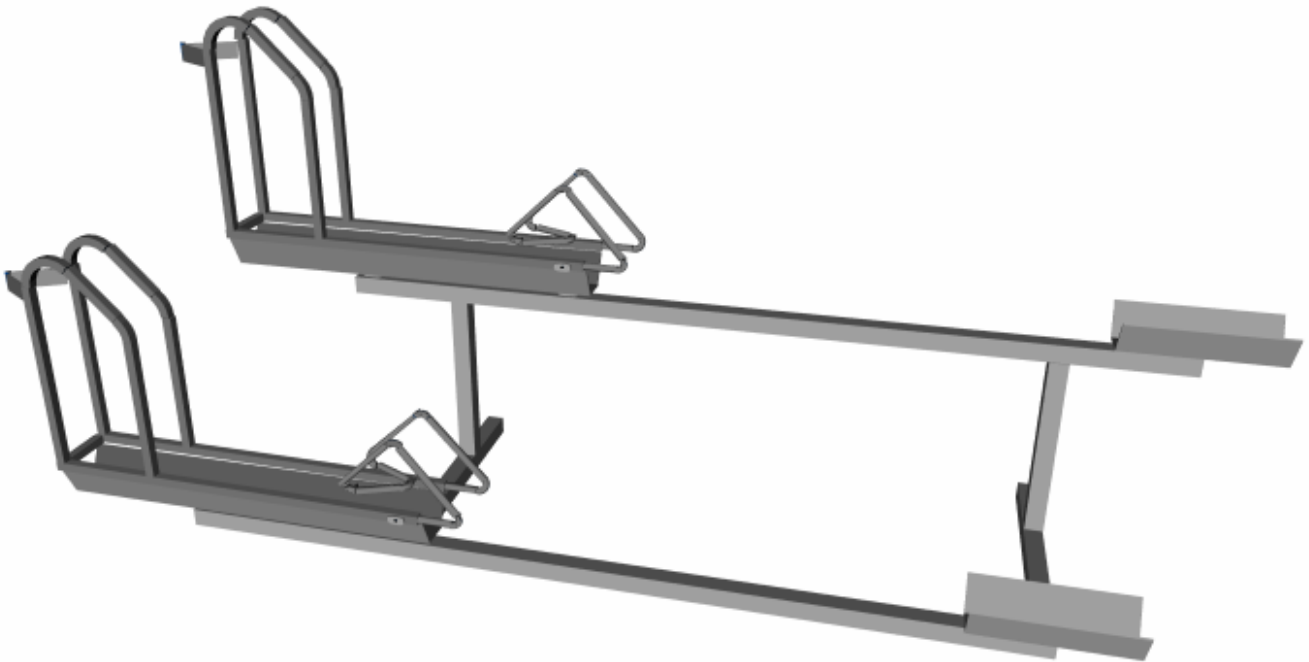


Hardware:

- (6) 5/16" x 1/2" Bolts
- (4) 5/16" Washer
- (4) 1/2" Black Plugs
- (6) 1" Black Plugs
- (2) 1/4" x 3/8" Setscrew
- (1) Rudy Rack Sticker

2-Bike Highlighter

1. Insert the Front Section into the Center Section. The End Trays should be facing the same direction. Tighten with (2) 5/16" x 1/2" Bolts at your desired spacing.
2. Attach the (2) Stanchions onto the (2) sections using (2) 5/16" x 1/2" Bolts and (2) 5/16" Washers for each Stanchion.
3. Insert (1) Tray Catch to the exposed holes in the front of each stanchion. Adjust the catch to the desired wheel base. Tighten using (1) 1/4" x 3/8" Setscrews.
4. Insert the provided 1" and 1/2" Black Plugs into the exposed ends to give the Highlighter a finished look.



Thank you for your purchase with Rudy Rack.