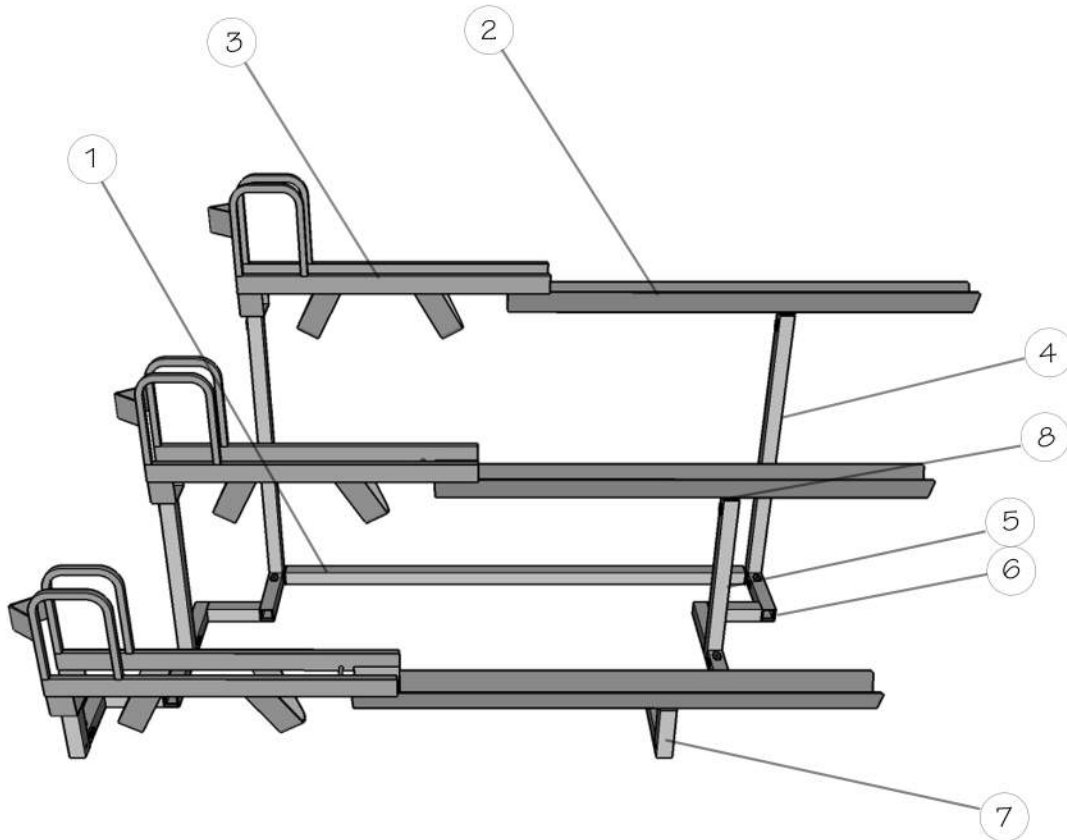

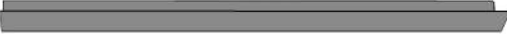
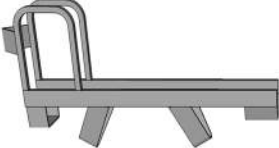
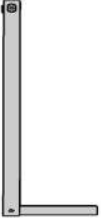
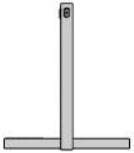
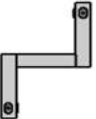




SUPER 3 BIKE HIGHLIGHTER

Parts List



	1. STABILIZER BAR
	2. TRAY
	3. STANCHION
	4. SINGLE LEG
	5. CENTER LEG
	6. Z BRACKET
	7. FRONT LEG
	8. VERTICAL INSERT

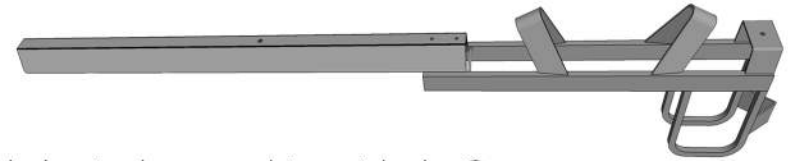
HARDWARE

5/16 X 2" Bolts
1/4 x 3/4" Bolts
5/16 x 1/2" Bolts
5/16 x 3/4" Bolts
1/4" Stopnuts
5/16" Washers
1/4" Washers
1-1/4" Plugs
1/2 x 1-1/2" Rectangle Plugs

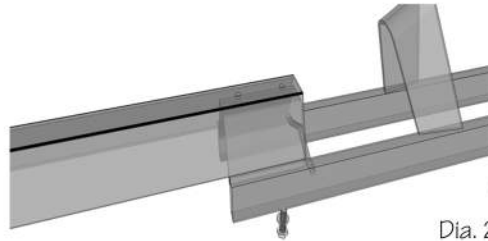
ASSEMBLY INSTRUCTIONS

Step One

First, assemble the Trays. Flip a stanchion and tray upside down. Align the 2 holes in the stanchion with the 2 holes in the tray. The tray should be on the outside of the stanchion, as shown in Diagram. 1.



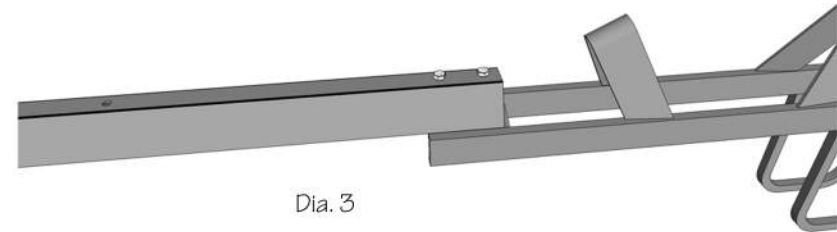
Dia. 1



Dia. 2

Step Two

Place a 1/4" washer over a 1/4" x 3/4" bolt. Insert the assembly through one of the holes from the bottom, as shown in Diagram 2. Tighten loosely with a 1/4" stopnut.



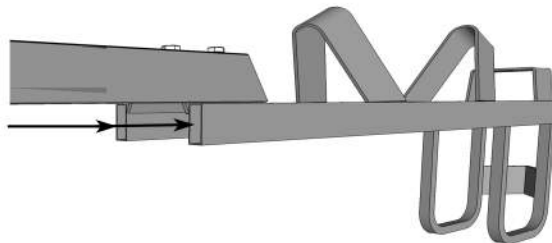
Dia. 3

Step Three

Repeat Step #2 in the open hole, as shown in Diagram 3. Tighten using two wrenches.

Step Four

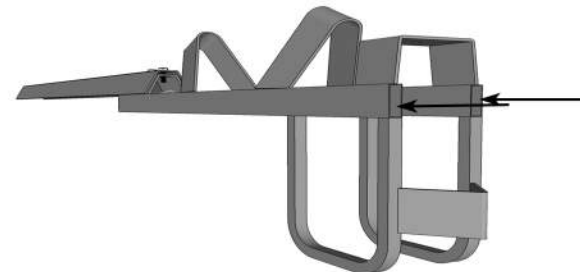
Insert 2 of the Rectangular Black Plugs in the open holes in the front of the stanchion, as shown in Diagram 4.



Dia. 4

Step Five

Insert 2 of the plugs in the back of the stanchion, as shown in Diagram. 5. Your tray is now completed. Repeat these steps on the remaining trays.

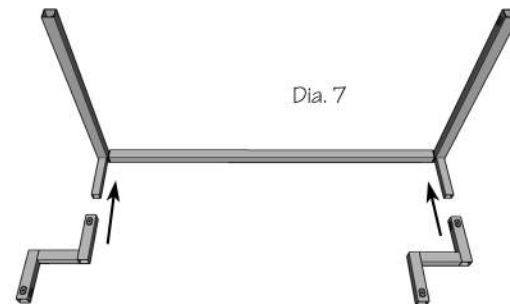


Dia. 5

ASSEMBLY INSTRUCTIONS

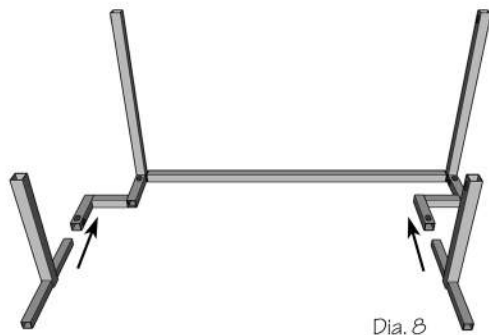


STEP SIX
Lay the (1) Stabilizer Bar on the floor. Locate (1) Single Leg. Line up the hole in the side of the Leg with the hole in the end of the Stabilizer Bar, as shown in Diagram 6. The "leg" should be facing toward you. Attach using a 5/16" x 2" Bolt. Repeat this step to attach the remaining Single Leg.

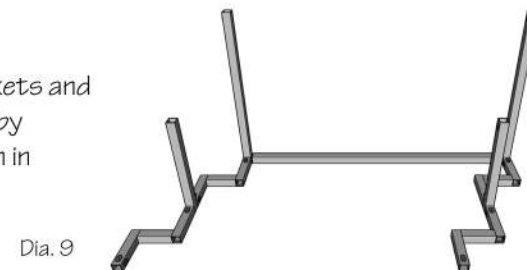


STEP SEVEN
Locate (2) Z Brackets and place on the floor so the weld tabs are facing up. Slide the open end of the Bracket over the Leg, as shown in Diagram 7. Secure in place using (2) 5/16" x 1/2" Bolts per Bracket.

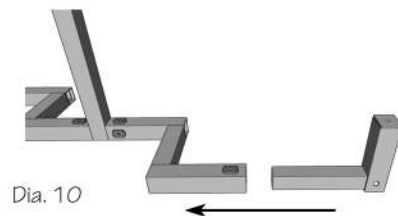
STEP EIGHT
Next, attach the (2) Center Legs to the Z Brackets by sliding one of ends into a Bracket, as shown in Diagram 8. Secure in place using (2) 5/16" x 1/2" Bolts per Leg.



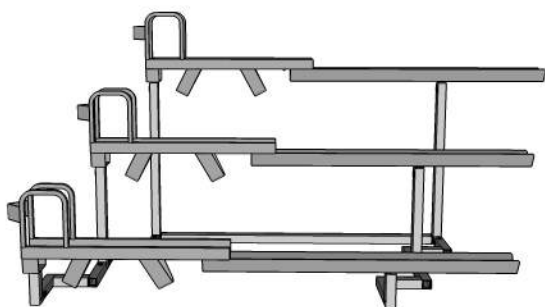
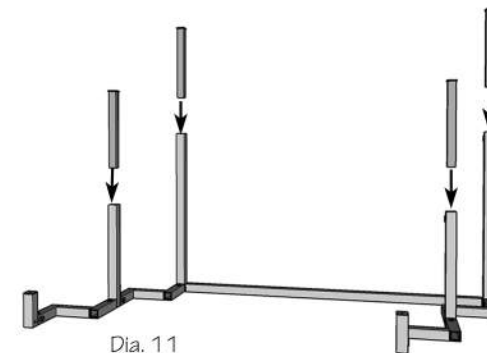
STEP NINE
Grab the remaining Z Brackets and attach to the Center Legs by repeating Step 7, as shown in Diagram 9,



STEP TEN
Locate (2) Front Legs. Place them at the end of the Z Brackets with the capped end facing up, as shown in Diagram 10. Slide it into the Z Brackets. Secure in place using (2) 5/16" x 1/2" Bolts Per Leg.



STEP ELEVEN
Place the (4) Vertical Inserts into the Legs: the Center and Single - not the Front, as shown in Diagram 11. The covered end with the hole should facing up Do Not Secure.



STEP TWELVE
To complete the rack, attach the Trays. Line up the holes in the assembled Tray with the Legs and secure in place using a 5/16" Washer and 5/16" x 3/4" Bolt. Also, tighten the Vertical Inserts in place using 5/16 x 1/2" Bolts. Finally, give the rack a finished look by inserting the (4) 1-1/4" Plugs into the exposed tubes on the Z Brackets.