



# Kids Bike Tower with Crown Tray

Recommended Team Members Needed: 1

Designed & Made  
in the USA



Crown Tray



Tray



Kids  
Stanchion



Kids  
Stanchion  
Base  
Tray



Kids  
Stanchion  
Catch



Top Front Rail



Top Rear Rail



Bottom Rail



45" Vertical Post



70" Vertical Post



Crown Tray  
Catch

THE 1 CROWN  
TRAY CATCH IS  
SHORTER THAN  
THE KIDS  
STANCHION CATCHES



Slide

6 Bike  
Only



Floor Support



Main Arm



## Tools

(2) 7/16" Wrenches

1/2" Wrench

## Hardware & Parts

Kids Tray

Kids Stanchion

Kids Stanchion  
Base Tray

Kids Stanchion  
Catch

1/4" x 3/4" Bolts

1/4" Washers

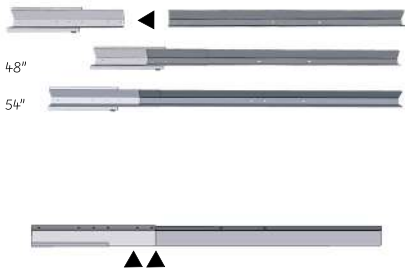
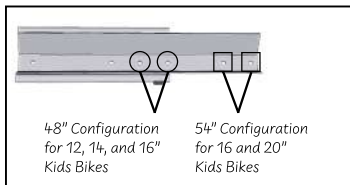
1/4" Stop Nuts

5/16" x 3/4" Bolts

5/16" Washers

5/16" Stop Nuts

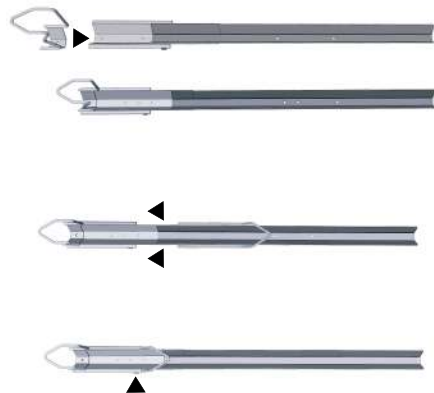
1/4" x 3/8"  
Set Screws



Locate the **Kids Tray** and **Kids Stanchion Base Tray**. Place the tray on top of the base, aligning the two holes to the length configuration you desire.

Flip the assembly and insert a **1/4" x 3/4" Bolt** with a **1/4" Washer** through the bottom of the holes and tighten with a **1/4" Washer and Stop Nut**.

We recommend using 54" trays on the bottom tier and 48" trays on the top tier of the Kids Bike Tower



On your three bottom tier 54" trays only: Attach the **Kids Stanchion** to the **Kids Stanchion Base Tray** top hole using a **5/16" x 3/4" Bolt** and **5/16" Washer** secured with a **5/16" Washer and Stop Nut**.

Slide the two ends of the **Kids Stanchion Catch** into the open ends of the **Kids Stanchion Base Tray** tubes. Secure in place using a **1/4" x 3/8" Set Screw**.

48" Trays attach to rack after the top tier is built.



## Hardware & Parts

Bottom Rails

Floor Supports

54" Tray Assemblies

45" Vertical Posts

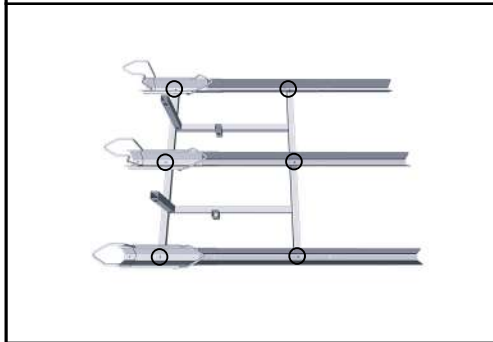
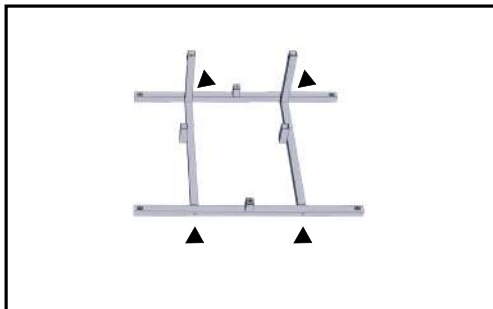
70" Vertical Posts

5/16" x 1/2" Bolts

5/16" x 3/4" Bolts

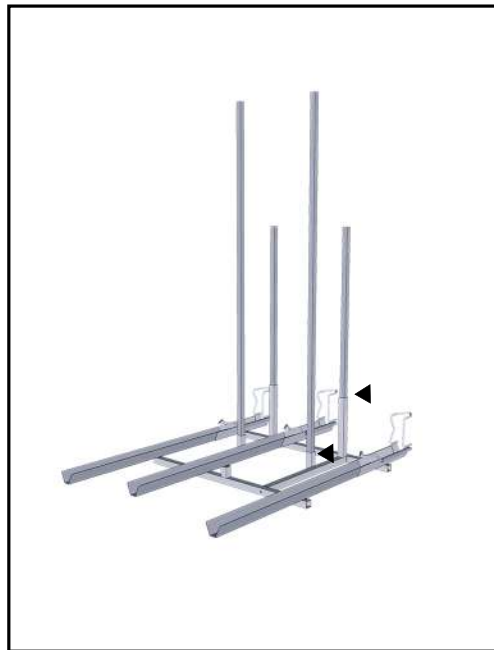
5/16" x 2" Bolts

5/16" Washers



Locate the **Bottom Rails** and **Floor Supports**. Place the **Floor Supports** between the **Bottom Rails**, lining up the holes in the back and front of the **Floor Supports** with the holes on the sides of the **Bottom Rails**. Secure using **5/16" x 2" Bolts** and **5/16" Washers**.

Attach the **54" Tray Assemblies** to the bottom tier by aligning the tray holes with those on the **Bottom Rails**. Bolt down using **5/16" x 3/4" Bolts** and **5/16" Washers**.



Locate the **Vertical Posts**. Insert the **45" Vertical Posts** into the tallest part of the **Floor Support** at the back of the rack. Secure using **5/16" x 1/2" Bolts**.

Insert the **70" Vertical Posts** into the remaining open end tubes in the front of the **Floor Supports**. Secure using **5/16" x 1/2" Bolts**.



## Hardware & Parts

Main Arms

Top Rear Rail

Top Front Rail

48" Tray Assemblies

Kids Stanchion

Kids Stanchion Catch

5/16" x 1/2" Bolts

5/16" x 2" Bolts

5/16" x 3" Bolts

5/16" Washers

5/16" Stop Nuts

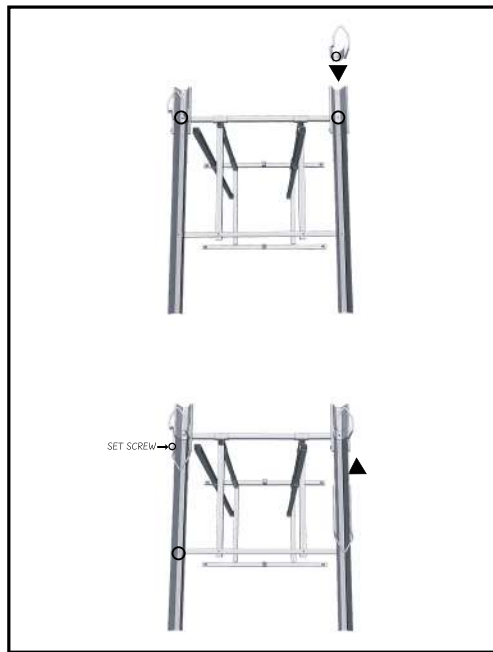
3/8" x 1/4" Set Screws



Slide the **Main Arms** over the **Vertical Posts** with the horizontal tube facing the back of the structure. Adjust until the top is flush with the **45" Vertical Posts**. Secure using **5/16" x 1/2" Bolts**.

Slide the **Top Rear Rail** (2 holes) through the horizontal tubes with the holes facing up. **DO NOT ATTACH**.

Next, place the **Top Front Rail** (4 holes) on the **Main Arms**. Align the two center holes of the rail with the holes on the **Main Arms**. In those two holes, insert **5/16" x 3" Bolts** and **5/16" Washers**, securing with **5/16" Washers** and **Stop Nuts**.



Locate the **48" Tray Assemblies**. Place assemblies on the right and left side of the top tier. Align the second furthest back hole with a hole on the ends of the **Top Rear Rail**.

Place a **Kids Stanchion** on top and insert **5/16" x 2" Bolts** and **5/16" Washers**. Secure with **5/16" Washers** and **Stop Nuts**.

Next, slide the two ends of a **Kids Stanchion Catch** into the open ends of the **Kids Stanchion Base Tubes**, securing in place with **1/4" x 3/8" Set Screws**.

Attach the front of the **Tray Assembly** with **5/16" x 2" Bolts** and **5/16" Washers**, secured with **5/16" Washers** and **Stop Nuts**.



## Hardware & Parts

### 6 Bike with Crown Option Only:

Slides

48" Tray Assembly

1/4 x 1-3/4" Bolts

1/4" Stop Nuts

5/16" x 3/4" Bolts

5/16" Washers

### 5 & 6 Bike with Crown:

5/16" x 1/2" Bolts



Secure the **Top Rear Rail** to the **Main Arms**  
using **5/16" x 1/2" Bolts**.

**TIGHTEN ALL LOOSE BOLTS**



**6 Bike with Crown Only:** Locate the 2 **Slides**. Place one in the center of the **Top Rear and Front Rails**. Secure with **1/4" x 1-3/4" Bolts** and **1/4" Stop Nuts**.

Locate the last **48" Tray Assembly** and attach to the center of the top tier. Align the holes on the **Tray Assembly** with the holes on the **Slides**.

Secure with **5/16" x 3/4" Bolts** and **5/16" Washers**.



## Hardware & Parts

Crown Tray

Crown Tray Catch

1/4" x 3/8" Set Screw

1" Black Plugs

1-1/4" Black Plugs

*Look at that thing,  
you did a fantastic job!*

*It would be awesome if we  
could see what you do  
with your Rudy Rack  
in the wild!*

*Show us why you went  
with Rudy Rack by tagging  
us in a post @Rudyrackwis  
and sharing your story.*



Place the **Crown Tray** on top of the structure by inserting the ends of the **70" Vertical Posts** into the feet of the **Crown Tray**. Secure using **5/16" x 1/2" Bolts**.

Complete the **Crown Tray** by attaching the **Crown Tray Catch**. Slide the two ends of the **Crown Tray Catch** into the open tubes at the back of the **Crown Tray**. Secure in place using a **1/4" x 3/8" Set Screw**.



Complete your Kids Bike Tower with Crown by inserting **1" and 1-1/4" Black Plugs** into exposed ends.