

# Wall MAX

Recommended Team Members Needed: 1



Designed & Made in  
**USA**

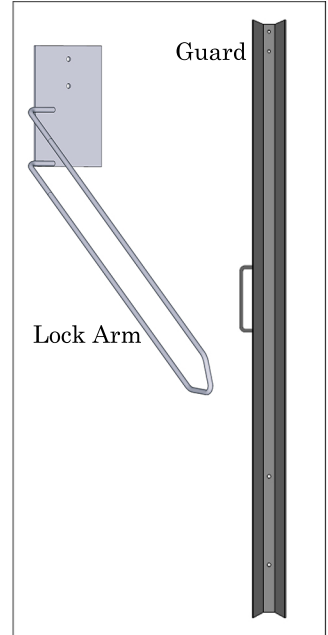


Wall Mount



Wall Max

## OPTIONAL ITEMS



Guard

Lock Arm



### Tools

TAPE MEASURE

PENCIL OR MARKER

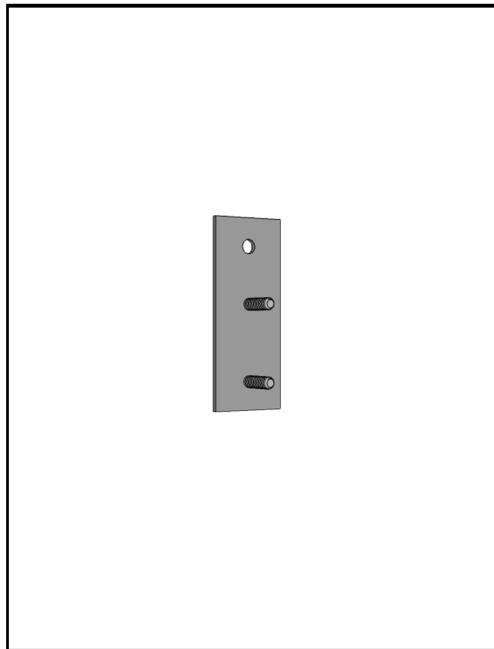
DRILL

7/16" SOCKET

### Hardware & Parts

Wall Mount

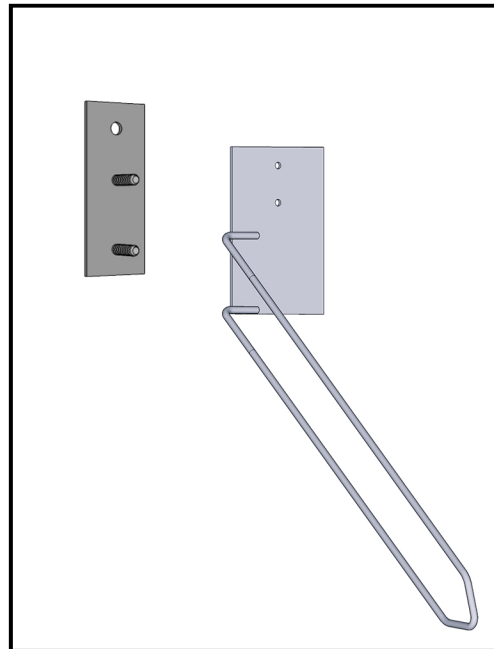
Lock Arm



Lay down **Wall Mount** with pems (screws)  
facing up.

If you don't have a lock arm continue to step

3



Lay the **Lock Arm** on top of the Wall Mount, placing  
pems through the two holes.

Lock arm should be facing away from the accessible  
hole on the wall mount.



## Hardware & Parts

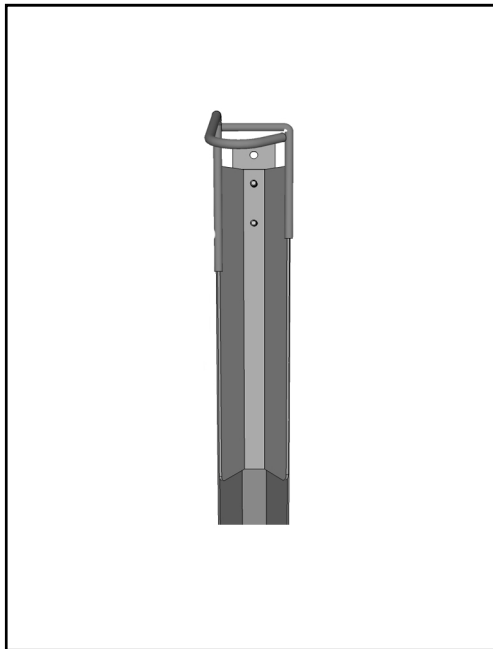
Stop Nuts

1/4"x 2 Lag Bolts

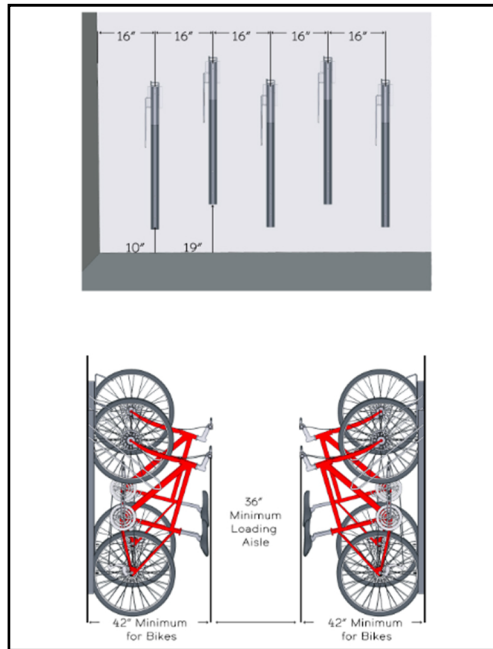
1/4" Washers

**Well, there ya go. A simple, good-looking storage solution!**

We and other Rudy Rack customers would love you to see your new Rudy Rack in the WILD! Tag us in a post at **@Rudyrackwis** and show everyone why you went with Rudy Rack.



Secure assembly by threading **Stop nuts** onto pems



Secure the assembled Wall Max to the wall using **1/4"x 2 Lag Bolts** with **1/4" Washers**.

**PRO TIP: NEXT STEP IS EASIER WITH 2 TEAM MEMBERS.**