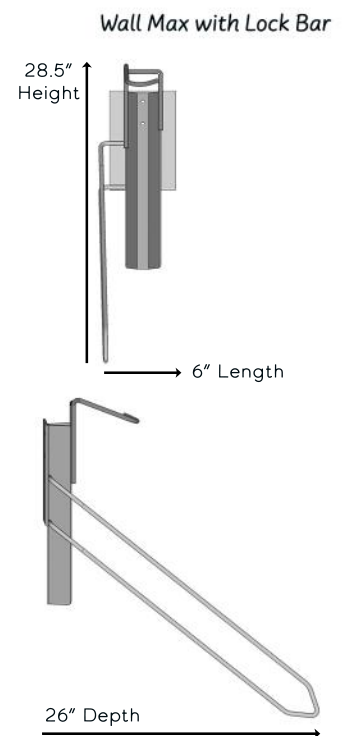
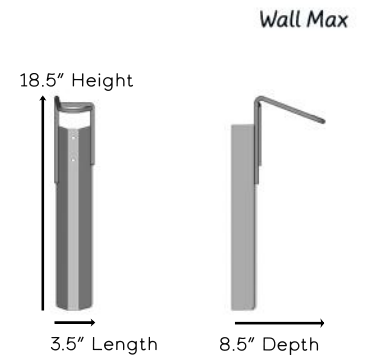


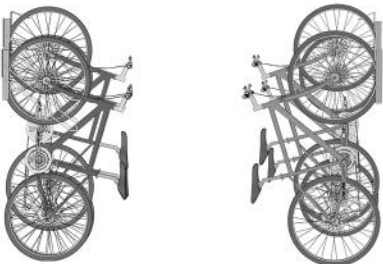
WALL MAX

CAPACITY	1 Bicycle Parked
GENERAL INFORMATION	<p><u>Materials:</u></p> <ul style="list-style-type: none"> - Hook is 3/8" steel rod - Tray is 14 gauge steel - (Optional) Lock Bar is 3/8" steel rod with a 3/16" back plate. <p><u>Wall Mount</u></p> <p><u>Hook:</u> arrives coated in vinyl tubing. 2.75" wide, it can accommodate tires up to a width of 2.75".</p> <p><u>(Optional) Lock Bar is U-Lock Compatible</u></p> <p><u>Finish:</u> Black Powder Coat</p> <p><u>Mounting Hardware:</u> Standard lag bolts are provided for wood studs. Different anchors may be needed for other surfaces, which are not included.</p>
LAYOUT GUIDELINES	<p>Ceiling Clearance: 90" minimum ceiling height</p> <p>Wall Offset: 16" from wall to center of rack.</p> <p>Ground Offset: 54" from ground to bottom of rack.</p> <p>Spacing: 16" on-center. Racks stagger 9" in height.</p> <p>Loading Aisle: Allow 42" for bikes and an additional 36" for loading.</p> <p><small>SPACE REQUIREMENTS ARE BASED ON RUDY RACK STANDARDS. LOCAL ORDINANCES AND ADA REQUIREMENTS MAY VARY BY LOCATION.</small></p>



If you don't have floor or ceiling space for bicycle storage, we've got you covered! Vertically hang bicycles on virtually any type of wall using the Wall Max. Staggering heights makes it easier for you to store more bicycles while reducing handlebar and pedal interference.

Parking one bicycle each, Wall Max hooks are 2.75" wide; covered in vinyl tubing.



1-800-434-6442
www.rudyrack.com

