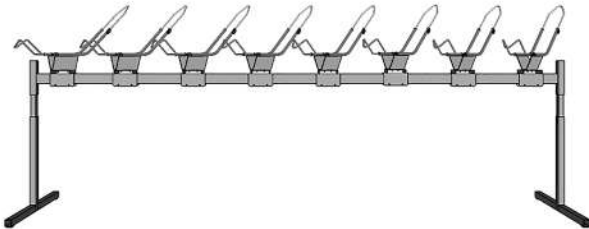




Stand Up

Recommended Team Members Needed: 1 (2 for efficiency)

Designed & Made
in the
USA



Slide



Catch



T-Base



Tray



Angled Catch



Left End Post



Right End Post



Rail

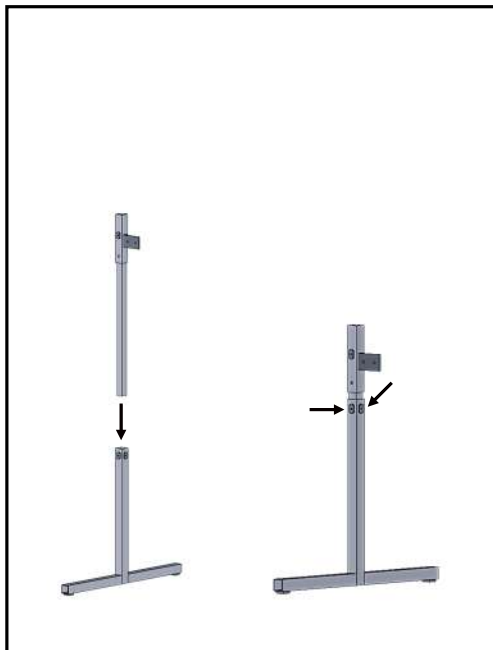


Tools

- (2) 7/16" Wrenches
- Tape Measure
- 1/2" Wrench

Hardware & Parts

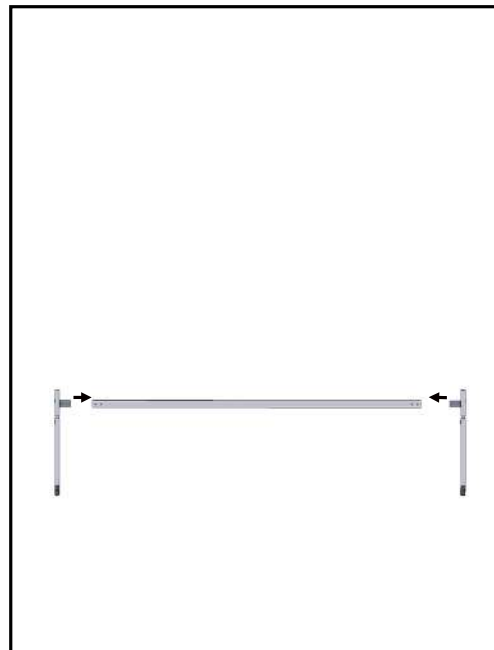
- Left End Post
- 5/16" Knobs
- T-Base
- Right End Post
- 5/16" Bolt
- 5/16" Washer



Locate the **Left End Post**, a **T-Base**, and (2) **5/16"** **Knobs**. Loosely screw the knobs into the T-Base.

Slide the End Post into the T-Base and secure at an estimated starting height with the knobs.

Repeat step one with the **Right End Post** and the second T-Base.



Slide the ends of the rail over the ears on the end posts. Secure the rail with (4) **5/16 x 1/2"** **Bolts** with a **5/16" Washer**.



Hardware & Parts

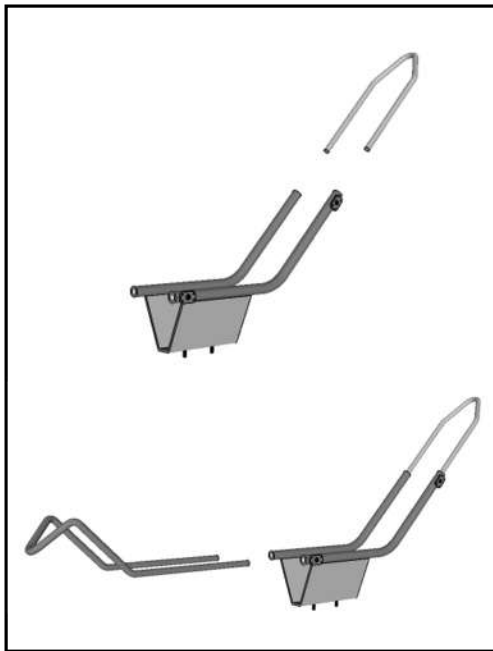
Tray

Catch

Angled Catch

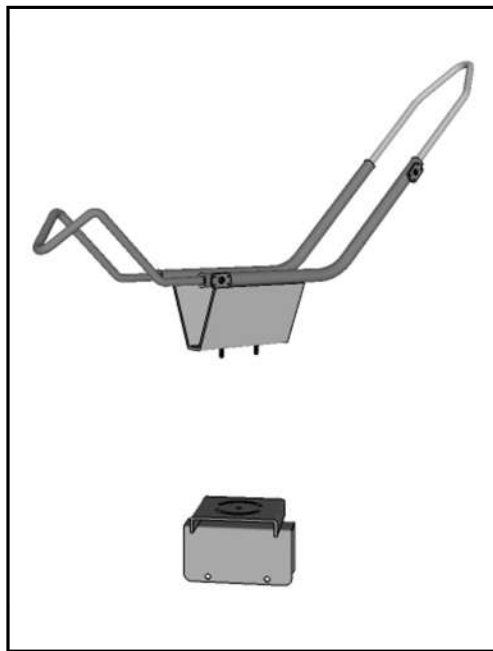
1/4" Washer

1/4" Stop nut



Locate a **Tray**, a **Catch**, and an **Angled Catch**. Slide the ends of the catches into the tubes on the Tray. The angle catch should be at the lower end of the Tray.

Loosely secure the catches with 1/4" thumb screws.



Take the tray assembly and set it on top of a cradle.

Secure the Tray with a 1/4" **Washer** and 1/4" **Stop nut** on each pem (screws on the bottom of the Tray).

Repeat steps to complete the rest of your Tray Assemblies.



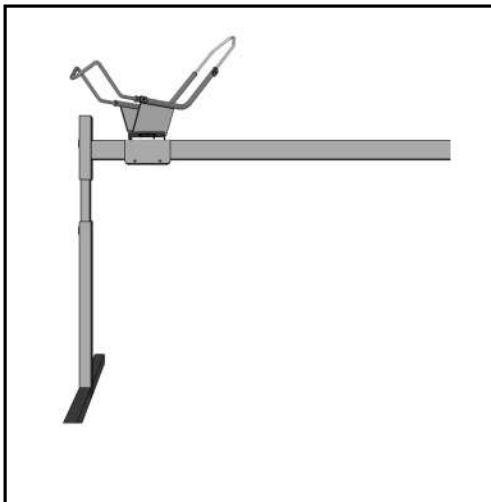
Hardware & Parts

1/4 x 1-3/4" Bolts
1/4" Washer
1/4" Stop Nut
Plugs

There we have it! Bike display elegance. Well done!

We and other Rudy Rack customers would love you to see your new Rudy Rack in the WILD!

Tag us in a post at @Rudyrackwis and show everyone why you went with Rudy Rack.



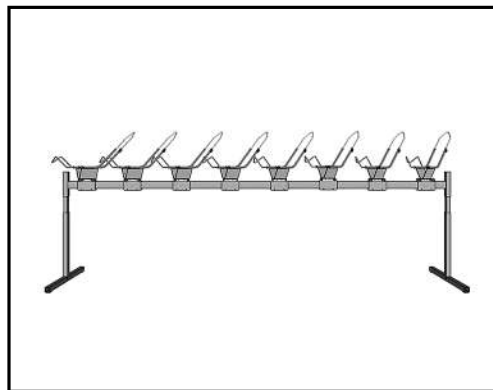
Cradle Spacing

Rail Length	Cradles	Slide to Slide	Inches from End
106"	8	7 1/4"	3 1/2"
98"	7	8 1/4"	3 1/2"
88"	6	9"	3 1/2"

Place the completed Cradle Assemblies on the Rail using our recommended spacing as directed in the chart above or according to your preference.

Secure each Tray Assembly with (2) 1/4" x 1-3/4" Bolts, 1/4" Washers, and 1/4" Stop Nuts.

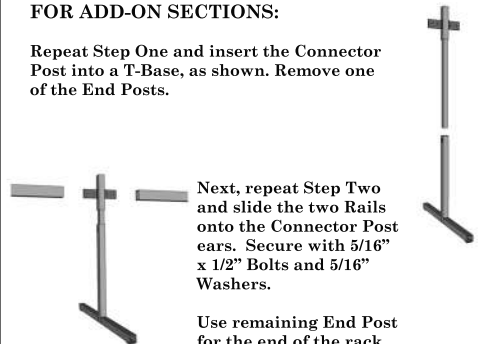
Pro Tip: Before fully tightening the Tray Assemblies to the rail, place some bikes on there and figure out what angle you like best for the display. I really like 45 degrees but "you don't have to take my word for it".



Use the provided **Plugs** to fill the exposed ends of the tubes.

FOR ADD-ON SECTIONS:

Repeat Step One and insert the Connector Post into a T-Base, as shown. Remove one of the End Posts.



Next, repeat Step Two and slide the two Rails onto the Connector Post ears. Secure with 5/16" x 1/2" Bolts and 5/16" Washers.

Use remaining End Post for the end of the rack.