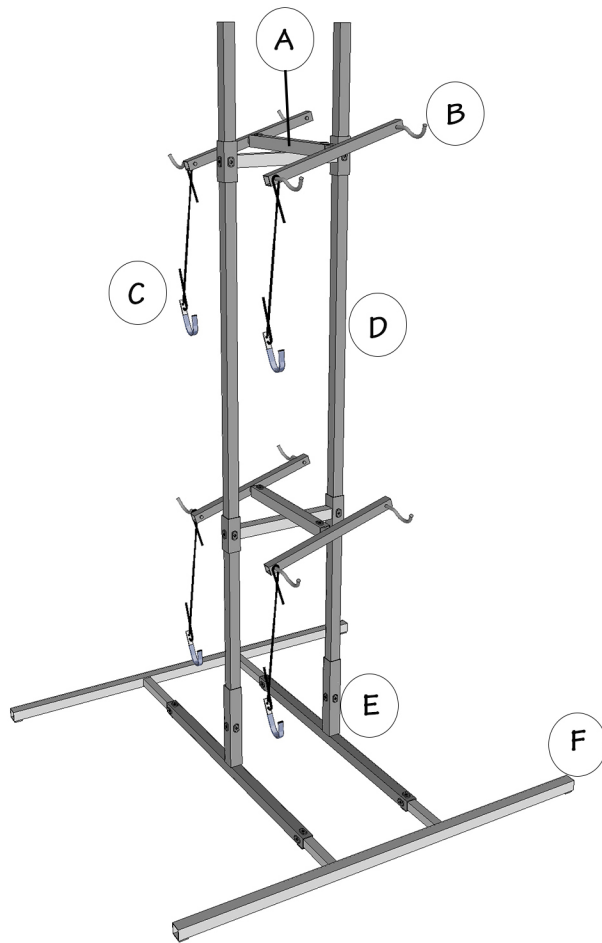
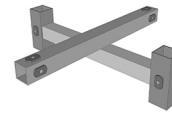


# BIKE STACKER 4 BIKE



A. (2) 4 Bike Main Support



B. (4) Bike Hooks



C. (4) Tire Hook



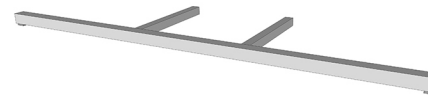
D. (2) 82" VP (Vertical Posts)



E. (2) 4 Bike Base



F. (2) Base Extender



## HARDWARE

(28) 5/16" x 1/2" Bolts    (8) 1" Plugs  
(6) 1 1/4" 14GA Plugs

## TOOLS REQUIRED

(1) 1/2" WRENCH



Before rack assembly, locate hardware and  
unpack and identify all parts

## RACK ASSEMBLY

### Step One

Locate (2) 4 Bike Bases and (2) Base Extenders. Insert the Base Extenders into the Main Supports, as shown in Diagram 1. Determine desired spacing and loosely tighten (8) 5/16" x 1/2" Bolts into the weld tabs with fingers.

### Step Two

Locate (2) 82" Vert Posts and insert them into the Bases, as shown in Diagram 2. Loosely tighten (4) 5/16" x 1/2" Bolts into the weld tabs with fingers.

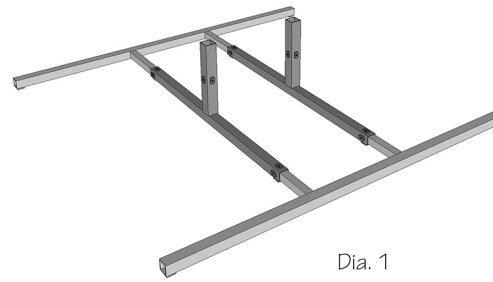
### Step Three

Locate (2) 4 Bike Main Supports and slide them on the Vert Posts, as shown in Diagram 3. Secure with (8) 5/16" x 1/2" Bolts.

### Step Four

Locate (4) Bike Hooks and inset them into the 4 Bike Main Supports, as shown in Diagram 4. Secure with (8) 5/16" x 1/2" Bolts. Now go back through and adjust the height of the main supports and angle of the bike hooks. Tighten all loose bolts

When positioning bikes on the bike hooks make sure the bikes are as centered as possible. Hook bikes from the top tube of the bike. Some bikes may need the rear hook to be hooked to the rear triangle of the bike, right behind the seat post tube. Confirm that the bolts attaching the Bike Hooks to the 4 Bike Main Support are tight enough so that the bike cannot rotate. If needed, use the tire hooks to prevent the front tire from rotating, as shown in Diagram 5



Dia. 1



Dia. 2



Dia. 3



Dia. 4



Dia. 5

