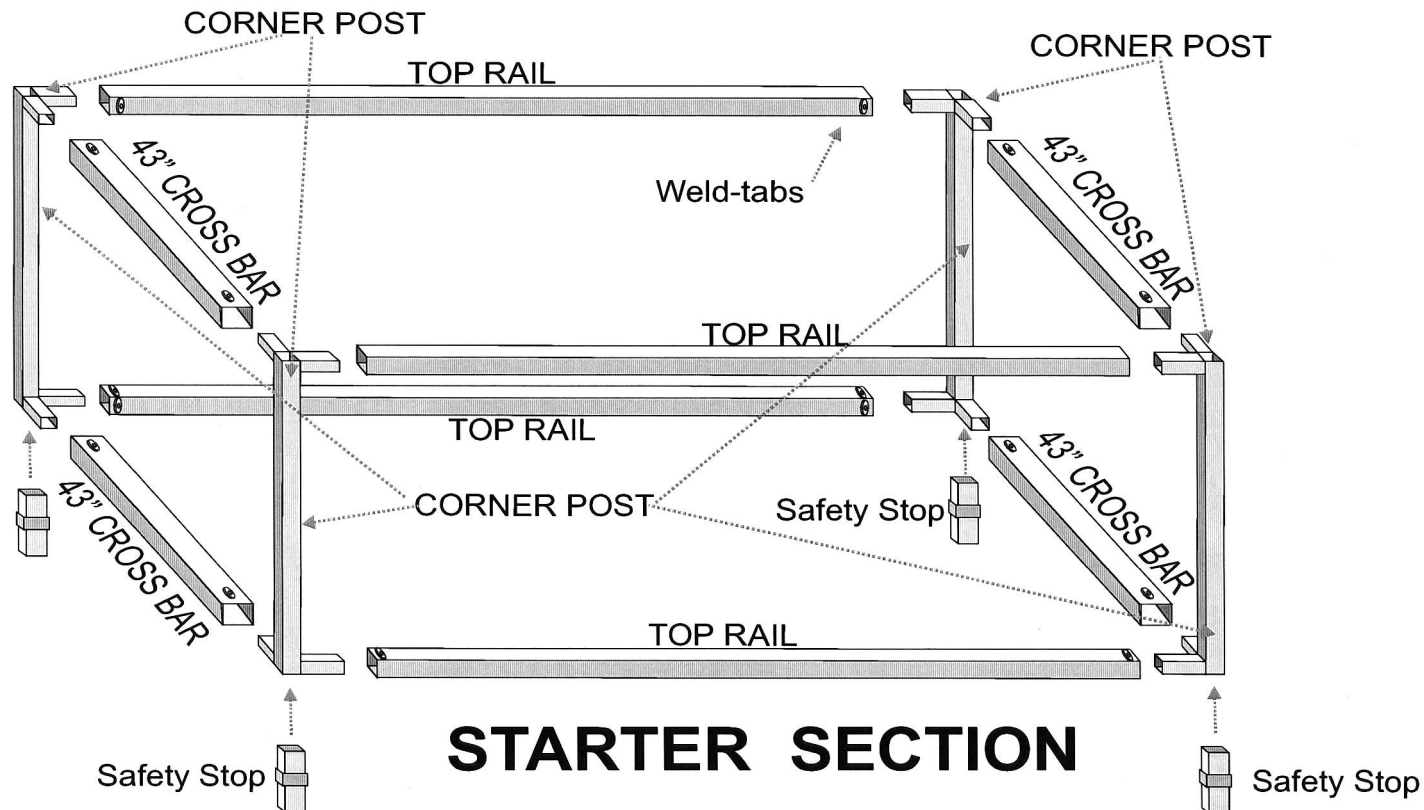


Wall Double Decker (Starter with Trays On the floor)

Rudy Rack

P.O. Box 133
Plover, WI 54467
800-434-6442
rudyrack.com

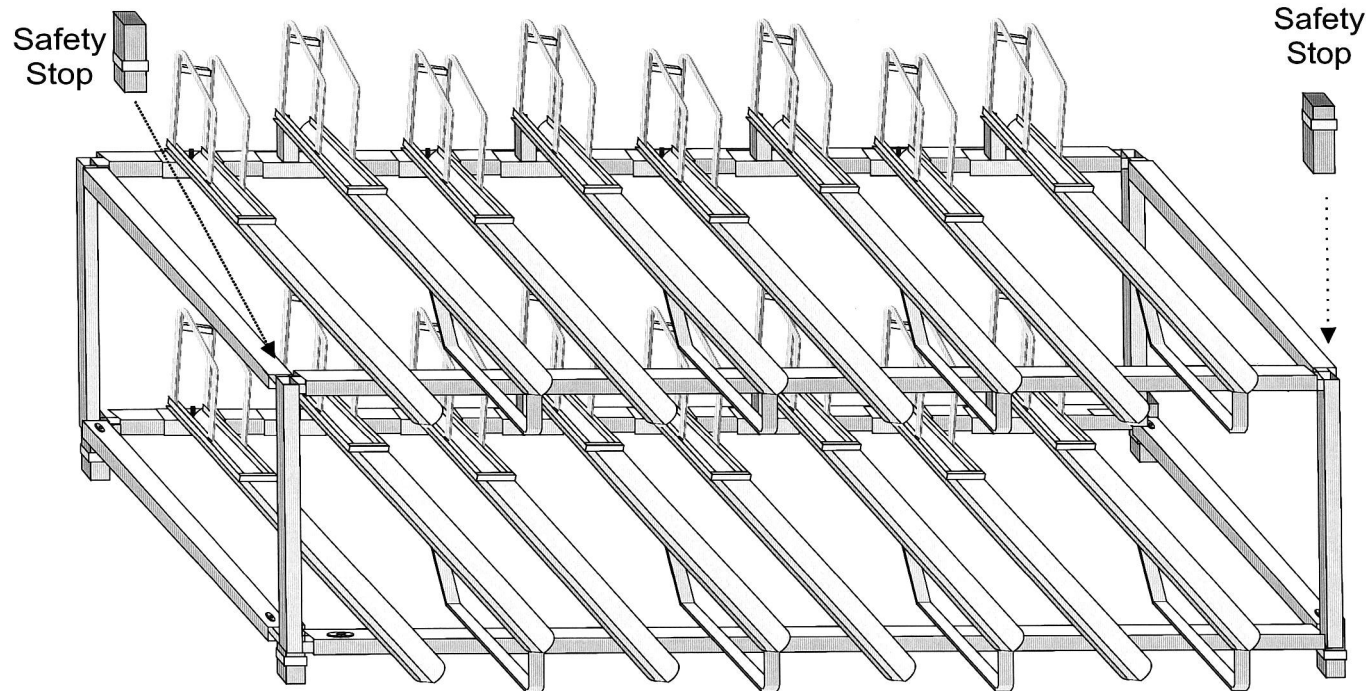
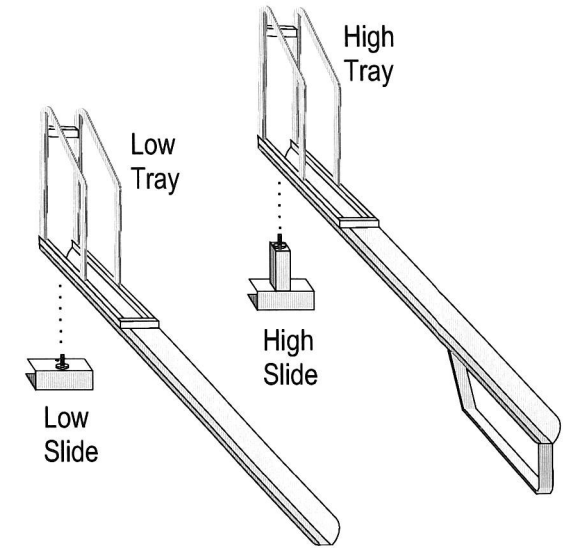
1. Assemble the STARTER SECTION as shown below. Locate CORNER POSTS, 43" CROSS BARS, and RAILS. The RAILS and CROSS BARS fit over the "ears" on the CORNER POSTS. Place a 5/16" x 3/4" bolt into each WELD-TAB and tighten it in place. Be sure each RAIL and CROSS BAR fits completely over the "ear" before tightening it.
2. Insert Safety Stops into bottoms of Corner Posts. The other two Safety Stops will be for the tops of the front Corner Posts.



NOTE: The Wall Double Decker is available in 6, 7, or 8 bike sections. The only difference between each of these versions is the length of the RAILS and the number of trays on each tier. Assembly is the same for all versions of the Wall Double Decker.

Wall Double Decker (With Trays on floor)

3. Place a black plastic cap into the end of each SAFETY STOP. Place a SAFETY STOP into the bottom of each CORNER POST and CONNECTOR POST. This will lift the entire rack off the ground slightly, creating room for trays to slide and pivot on the bottom tier.
4. Starting from the left, begin placing LOW SLIDES and HIGH SLIDES onto the rear RAILS of the STARTER SECTION. Be sure to alternate slides in a LOW-HIGH format. (This allows handlebars to overlap.) If you have an ADD-ON SECTION, continue adding LOW SLIDES and HIGH SLIDES. Be sure to maintain the HIGH-LOW sequence when moving from the STARTER SECTION to the ADD-ON SECTION.
5. Place a 1/4" x 2" bolt through the pre-drilled holes on each HIGH SLIDE and LOW SLIDE. Attach a 1/4" nut to each bolt to secure the tray to the rack. (Note: if the bolt on the slide is tightened down, the tray will only pivot. If the bolt on the slide is left loose, the tray will slide and pivot, making it easier to remove bikes from the rack.)
6. Use the provided washers and nylon stop-nuts, attach LOW TRAYS to the LOW SLIDES and HIGH TRAYS to the HIGH SLIDES. Tighten the nylon stop-nut to secure each tray in place. (Do not over tighten - just "snug".)
7. Place a SAFETY STOP on the two front corners of the rack. (This prevents trays from pivoting off the rack.)
8. A variety of black plastic end-caps are included. Plug them into the exposed ends of tubing for a finished look.



STARTER SECTION

NOTE: The Wall Double Decker shown here has 8 trays per tier. You may have a section with more or less trays. Follow these instructions, putting the appropriate number of trays on to each section of the rack.