

STRAIGHT FORWARD  
3 TIER 12 & 15 BIKES



HARDWARE

- 5/16" x 2-1/2" Bolts
- 5/16" x 2" Bolts
- 1/4" x 3/4" Bolts
- 5/16" x 1/2" Bolts
- 5/16" x 3" Bolts
- 1-1/4" Black Plugs
- Black Rectangular Plugs
- 5/16" Washers
- 1/4" Washers
- 5/16" Stopnuts
- 1/4" Stopnuts



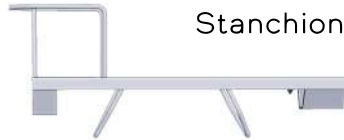
Tray



Floor Support End



Stanchion



Upper Main Arm End

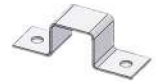


OPTIONAL:

Rack to Wall Mount



Floor Mount



MOUNTING HARDWARE NOT INCLUDED

Spacer



Slide



48" Vertical Post Extension (3 Tier Specific)



75" Vertical Post Extension (3 Tier Specific)



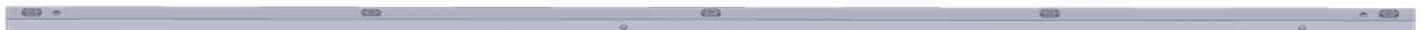
79" Vertical Post Extension (3 Tier Specific)



Top Rail (No Tabs)



Bottom Rear Rail (Tack Weld on Ends)



Bottom Front Rail



# STRAIGHT FORWARD RACK ORIENTATION

BEFORE BEGINNING, DETERMINE IF YOU WOULD LIKE YOUR RACK TO ANGLE RIGHT OR LEFT



Right Angled Straight Forward



Left Angled Straight Forward

Front View



Rear View



Front View



Top View



Front View



Rear View



Front View



Top View



# Super Tray Assembly

## STEP ONE:



Flip a stanchion and tray upside down. Align the 2 holes in the stanchion with the 2 holes in the tray. The tray should be on the outside of the stanchion, as shown.

## STEP TWO:



Place a 1/4" washer over a 1/4" x 3/4" bolt. Insert the assembly through one of the holes, as shown in Dia. 2. Tighten loosely with a 1/4" washer and 1/4" stopnut.

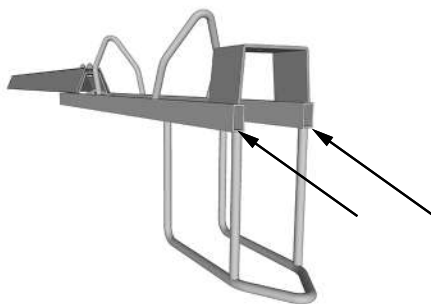
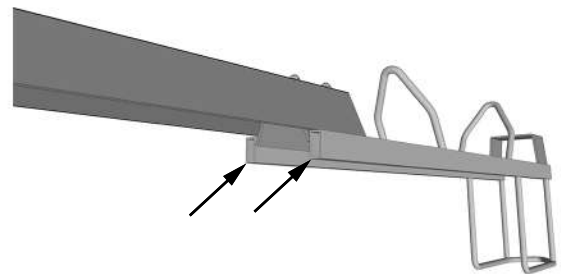
## STEP THREE:

Repeat Step #2 in the open hole, as shown. Tighten using two wrenches.



## STEP FOUR:

Insert 2 of the Rectangular Black Plugs in the open holes in the front of the stanchion, as shown.



## STEP FIVE:

Insert 2 of the plugs in the back of the stanchion, as shown.

Your tray is now complete!

Front View of Right Angled Rack



STEP TWO:

Locate the Bottom Rear Rail (dots on ends) and lay out as shown. Attach the Rear Rail to the Floor Supports using 5/16" x 2" Bolts and 5/16" Washers.

Rear View of Left Angled Rack



STEP ONE:

Locate the Bottom Front Rail (No dot on the ends) and the Floor Support Ends. Layout on the floor as shown.

Attach the Bottom Front Rail to the Floor Supports using 5/16" x 2" Bolts and 5/16" Washers.

Rear View of Right Angled Rack



**STOP!**

Diagrams 1 & 2 show pictures of a right angled orientation. To achieve a left angled rack, you need to spin only the rails 180 degrees, as shown.

STEP THREE:

Pre-Assemble the Trays. Please refer to the Super Tray Assembly Page.

STEP FOUR:

Place the Spacers over the rear and front weld nuts. Make sure to place these at an angle because the trays will be angled, as shown.



STEP FIVE:

Take the pre-assembled Trays and place them over the Spacers. Align the front and rear holes of the Tray with the holes in the Rails. Attach the Trays and Spacers to the Rails using 5/16" x 3" Bolts and 5/16" Washers.

**STEP SIX:**

Locate the (2) 79" Vertical Posts. Insert the Posts into the tubes on the rear of the Floor Supports with the inserts up. Secure using 5/16" x 1/2" Bolts.



Next take the (2) remaining 75" Vertical Posts and insert them into the other (2) vertical tubes of the Floor Supports with inserts up, as shown. Secure using 5/16" x 1/2" Bolts.

**STEP SEVEN:**

Locate the Upper Main Arm Ends. Slide the Arms over the Vertical Posts, as shown.

Decide the height of the second tier. We recommend about 50" from the bottom of the rail to the floor. Secure the Arms to the Vertical Posts using 5/16" Bolts.

Make sure the Upper Main Arms are level when you tighten the 75" Vertical Posts in place.

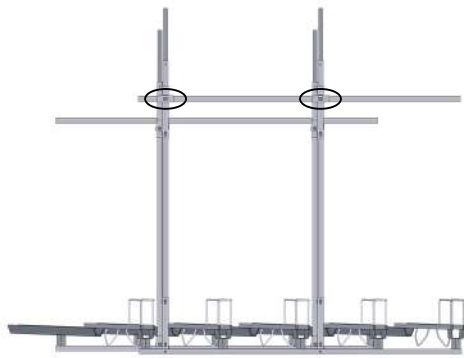


**STEP EIGHT:**

Locate (1) Top Rail (only has through holes.) Place the rail on the front of the Upper Main Arms corresponding with the placement of the Bottom Front Rail.

Align the holes on the Rail with the holes in the Upper Main Arms, as shown. Secure the Rail to the Arms using 5/16" x 3" Bolts, 5/16" Washers, and 5/16" Stopnuts. Tighten.





Rear View

STEP NINE:

Locate another Top Rail and slide it through the horizontal tubes on the back of the Upper Main Arms.

STEP TEN:

The next step is aligning the rear rail. The easiest way to do this is by taking a tray and setting it on top of the rails with the front hole on the end of the Top Front Rail. Place a bolt in the hole but DO NOT SECURE. Now adjust the rear rail by sliding it so the back hole in the tray lines up with the hole in the rail, as shown. Using 5/16" x 1/2" Bolts, secure the rear rail to the Upper Main Arms. LOOSELY TIGHTEN.

Trays are attached in Step 15.



STEP ELEVEN:

Find the (4) 48" Third Tier Vertical Post Extensions. Slide them over the inserts at the end of the 79" and 75" vertical posts, with the weld nuts down.

Using 5/16" x 1/2" Bolts, secure the 48" Vertical Posts to the 79" and 75" Vertical Posts.

STEP TWELVE:

REPEAT STEP 7. Sliding the Upper Main Arm Ends over the Vertical Posts, determine the height that you want for the Third Tier and secure using 5/16" x 1/2" Bolts. We recommend making the rear portion of the Upper Main Arm Ends flush with the top of the 79" Vertical Posts, as shown. Make sure the Upper Main Arms are level when you tighten in place.



STEP THIRTEEN:

REPEAT STEP 8. Secure the Front Top Rail to the Upper Main Arms of the third tier.



**STEP FOURTEEN:**

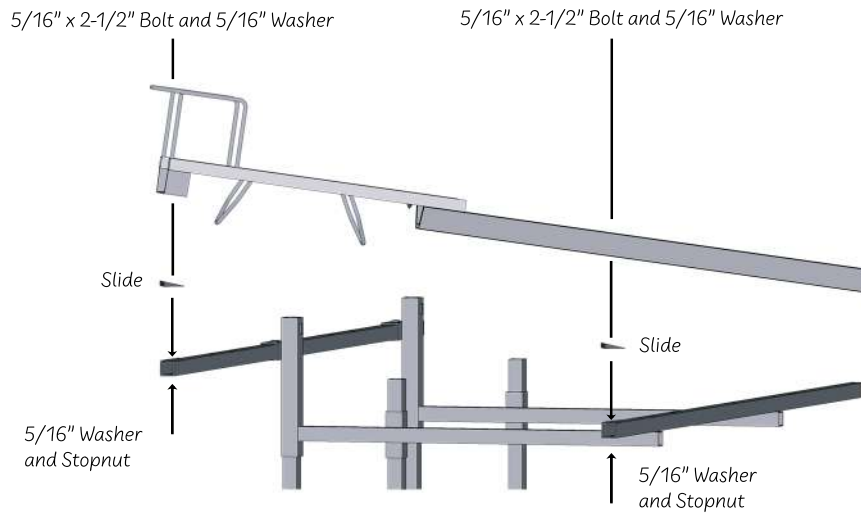
REPEAT STEPS 9 & 10. Slide the Top Rail through the back of the Upper Main Arms, using a tray to set the rear rail in place. Secure with 5/16" x 1/2" Bolts.

The arms should stick out level and not slope downward. Tray is permanently attached in Step 15.

**STEP FIFTEEN:**

The last step is to attach the tray assemblies to the second and third tiers of the structure. Start at one end of the structure (we recommend attaching the trays to the third tier first, then the second) place slides on the rails so the holes line up.

The slides should be angled the same as the tray assembly. Using a 5/16" x 2-1/2" Bolt and 5/16" Washer, attach the tray to the rails. Put the bolt through a 5/16" Washer, the Tray and Stanchion, then the slide, and finally the rail. Secure from below with a 5/16" Washer and 5/16" Stopnut, as shown.



Go back through and tighten any loose bolts. Finish the rack by inserting Black Plugs into any exposed ends of Rails and Supports.

Your rack is now complete!

The rack is free standing, but optional supports are included if applicable. Use and installation is at your installers discretion.

\*Before loading bikes: If your bike has a rear derailleur it is recommended that the rear derailleur is set to the lowest gear (the largest rear chain ring) to prevent chain or derailleur damage\*